

# ATOMIK WH PEL

High thickness polypropylene tool trolley



## General features

- 2 metal lid safety support stays
- 2 metal locks with keys
- 3 metal hinges for maximum strength
- bottom area with adjustable/removable dividers
- ergonomic handle, rubber coated grip
- address label
- document area
- can accommodate up to 3 tool pallets

## Internal Configuration

- 1 pallet with elastics on both sides
- 1 pallet with elastics on one side
- wheels on ball bearings
- telescopic handle

## Versions

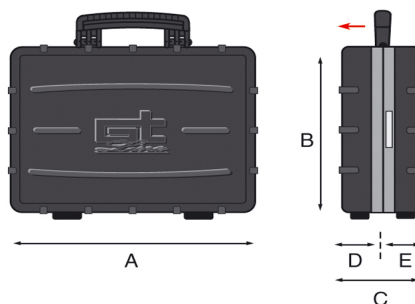
- ATOMIK 215 PEL
- ATOMIK 215 PSS
- ATOMIK 215 PTS
- ATOMIK WH PEL
- ATOMIK WH PSS
- ATOMIK WH PTS

## EAN

8024482016436



Technical features	A	B	C	D	E
mm internal dimensions	465	352	255	95	160
	Weight Kg 6,40				
inc internal dimensions	18 5/16	13 7/8	10 1/16	3 3/4	6 5/16
	Weight lbs 14.11				



## ATOMIK WH PEL

High thickness polypropylene tool trolley



Technologically advanced, injection moulded, high thickness Polypropylene tool case. This material makes the case extremely resistant against chemical corrosion, shock, high and low temperature. The injection technique ensures constant material thickness, even in the corners.

# Accessories

ATOMIK WH PEL



PAN ATOMIK



LOCKATOMIK



FOAM ATOMIK



WL01



WL02



WL03



WL04



WL05